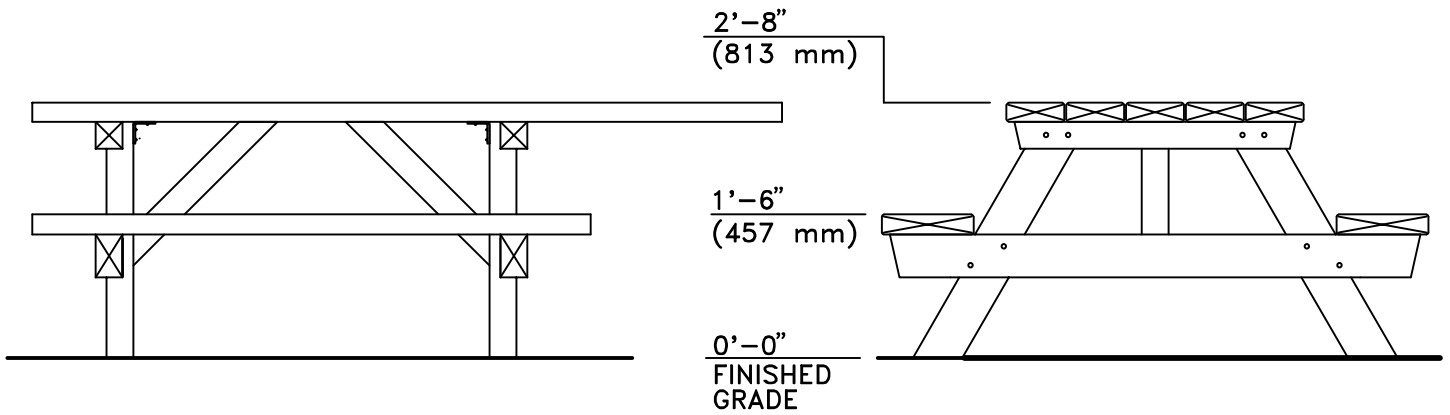


TOP VIEW



FRONT VIEW

END VIEW

AVAILABLE IN 6' (SHOWN), 8' NOMINAL LENGTHS.
OTHER LENGTHS AVAILABLE UPON REQUEST.



Date	Revision	By
△		
△		
① 05-04-26	LINE STYLE	KH
Scale 1/2" = 1'-0"	Drawn by: AT	07-04-10
	Ch'd by:	

COLUMBIA CASCADE COMPANY
 Makers of TimberForm®, PipeLine®, RePlay®
 TimberForm®-2 and CycLoops® Products.
www.TimberForm.com
 Phone: 503/223-1157 Email: HQ@TimberForm.com

This drawing reveals the copyrighted intellectual property of Columbia Cascade Company. Not for use by others without our express, written authorization.

Title: TIMBERFORM ARBOR TABLES MODEL NO. 2241-6 ACCESSIBLE PICNIC TABLE WITH SEATS	
Drawing No. W-2241-6	Sheet 1 of 1